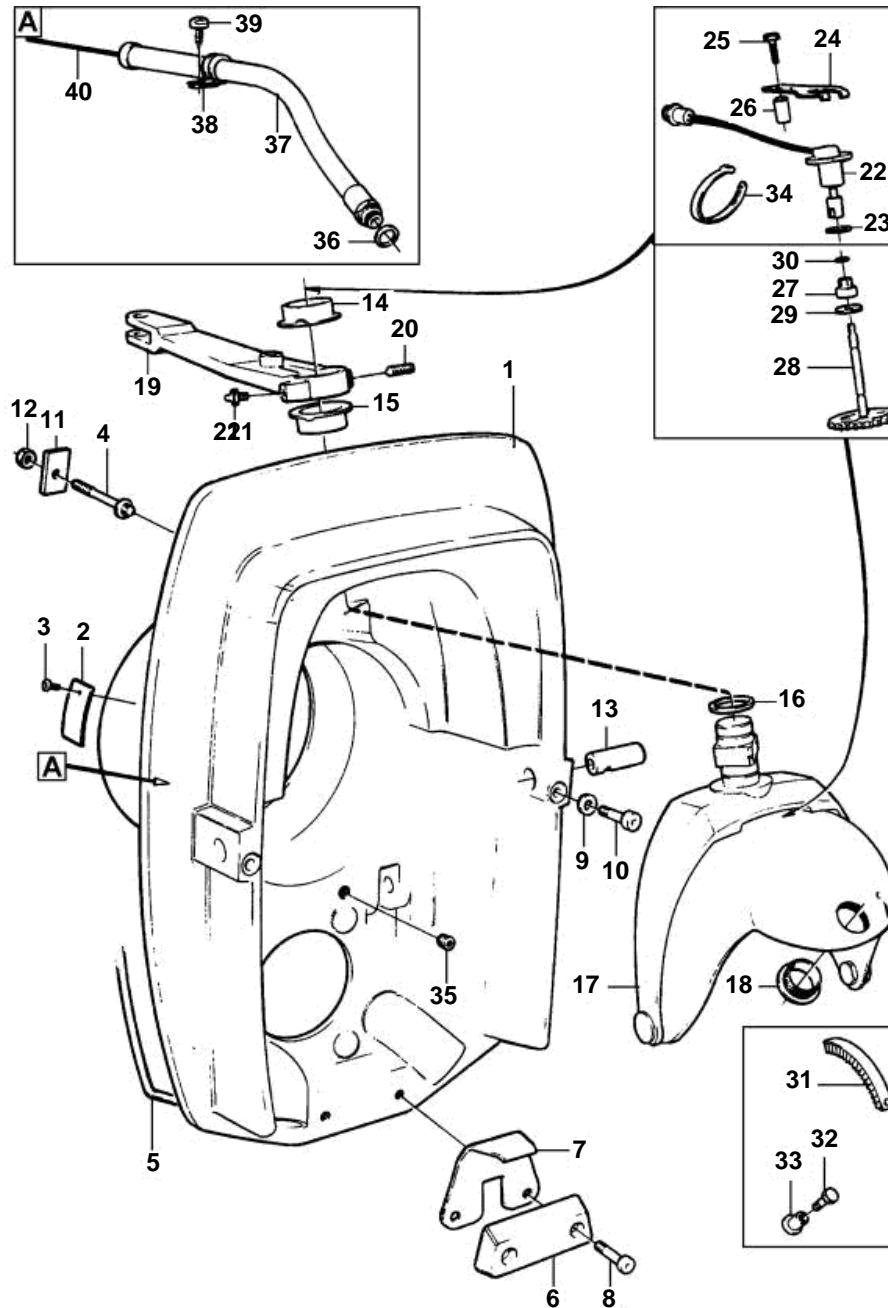


DP-E - TRANSOM SHIELD WITH MOUNTING COMPONENTS



DP-E - TRANSOM SHIELD WITH MOUNTING COMPONENTS

REF	PART NO.	QTY	DESCRIPTION	NOTES
1	3856809	1	Shield	
2	853706	1	· Type plate	
3	804269	2	· Drive screw	
4	873316	6	Stud	
5	852868		Sealing strip, L=1750 mm	As required
6	852835	1	Zinc electrode	
7	872963	1	Support plate	
8	946541	2	Screw	
9	941670	2	Washer	
10	963699	2	Screw	
11	852866	6	Washer	
12	963108	6	Nut	
13	872493	2	Pin	
14	854705	1	Bushing	
15	854704	1	Bushing	
16	977313	1	Sealing ring	
17	3857147	1	Steering fork kit	
18	853048	1	· Bushing	
19	872722	1	Spindle arm	
20	947904	1	Set screw	
21	914169	1	Lubricating nipple	
22	873531	1	Potentiometer	
23	955991	1	O-ring	
24	853039	1	Bracket	
25	955298	1	Screw	
26	872355	1	Spacer sleeve	
27	851430	1	Bushing	
28	852984	1	Drive gear	
29	966207	1	Sealing ring	
30	925050	1	O-ring	
31	3856815	1	Gear segment	
32	853759	1	Screw	
33	853760	1	Rivet nut	
34	948210	1	Strip clamp	
35	853215	2	Plug	
36	897745	1	Gasket	
37	839091	1	Hose	
38	952635	1	Clamp	
39	955512	1	Screw	
40			CONTROL CABLE	As required